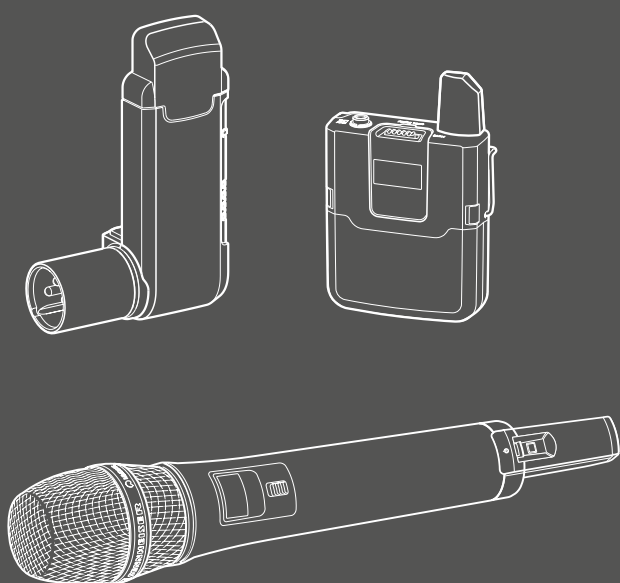
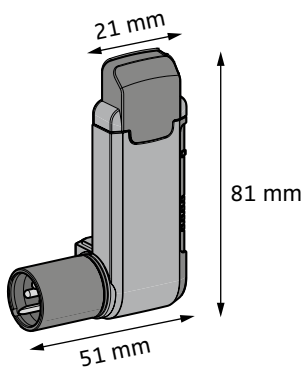


AVX

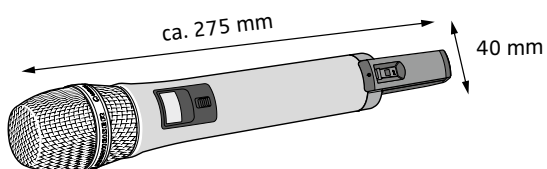


Technische specificaties

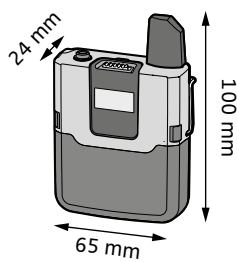
EKP AVX



SKM AVX/SKM AVX-S



SK AVX



Technische specificaties

Systemem

NF-frequentiebereik	20 tot 20.000 Hz
Dynamische bereik	> 120 dB (A)
THD (1 kHz)	typ. 0,1%
Audio sampling	24 bit/48 kHz
Signaal-ruisverhouding	> 90 dB (A)
HF-frequentiebereik	1.880 tot 1.930 MHz (landspecifiek)
Modulatie	GFSK met dataretourkanaal
Overdrachtssysteem	TDMA Fast switching antenna diversity
Latentie	19 ms
Relatieve luchtvochtigheid	max. 95%
Temperatuurbereik*	in bedrijf: -10°C tot +55°C Opslag: -20°C tot +70°C

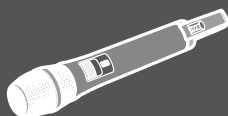
* De eigenschappen van de batterij beïnvloeden dit temperatuurbereik

EKP AVX



HF-gevoeligheid	< -90 dBm
Zendvermogen retourkanaal	typ. 15 dBm e.i.r.p.
Audio Output	instelbaar
XLR, symmetrisch	-30 dBu tot 0 dBu in 4 stappen
Voedingsspanning	BA 20 (Li-Ion 3,7 V DC)
Gebruiksduur van de accu	> 4 h
Laagspanningsbus	XLR, male
Gewicht (incl. BA 20)	ca. 87 g

SKM AVX



Zendvermogen	adaptief tot max. 250 mW (landspecifiek)
NF-frequentiebereik	50 tot 20.000 Hz
Inganggevoeligheid	Automatic Sensitivity Adjustment
Voedingsspanning	Accupack: BA 10 (Li-Ion, 3,6 V) Batterijen*: 2 x penlite AA (1,5 V)
Levensduur van de batterij	Accupack: typ. 15 uur Batterijen*: typ. 10 uur
Display	LCD
Gewicht (zonder accupack)	ca. 282 g incl. kapsel

* als optie verkrijgbare toebehoren

SK AVX



Zendvermogen	adaptief tot max. 250 mW (landspecifiek)
NF-frequentiebereik	Mic: 50 tot 20.000 Hz Line: 20 tot 20.000 Hz
Max.ingangssignaal	Mic: 2,2 V rms Line: 3,3 V rms
Ingangsimpedantie line	1 MΩ
Ingangsegevoeligheid	Automatic Sensitivity Adjustment
Voedingsspanning	Accupack: BA 30 (Li-Ion, 3,7 V) Batterijen*: 2x penlite AA (1,5 V)
Levensduur van de batterij	Accupack: typ. 15 uur Batterijen*: typ. 11 uur
Laagspanningsbus	3,5 mm jackplug, schroefbaar Stekkeraansluitingen:
Gewicht (zonder accupack)	ca. 87 g

* als optie verkrijgbare toebehoren



MMD 835-1 MMD 42-1

Microfoontype	dynamisch	
Gevoeligheid	2,1 mV/Pa	1,8 mV/Pa
Richtkarakteristiek	Nier	Kogel
Max. geluidsdruk	154 dB/SPL	154 dB/SPL

ME 2-2




Microfoontype	permanent gepolariseerde condensatormicrofoon
Gevoeligheid	20 mV/Pa
Richtkarakteristiek	Kogel
Max. geluidsdruk	130 dB/SPL

MKE 2



Microfoontype	permanent gepolariseerde condensatormicrofoon
Gevoeligheid	5 mV/Pa
Richtkarakteristiek	Kogel
Max. geluidsdruk	142 dB/SPL

Aan de eisen is voldaan voor:

Europa		Radio	EN 301406
		EMC	EN 301489-1/-6
		Veiligheid	EN 60950-1 EN 62311 (SAR)
		RoHS	EN 50581

USA FCC 47 CFR 15

Canada Industry Canada RSS 210
CAN ICES-3 (B)/NMB-3(B)

Goedgekeurd voor:

USA	SKM	FCC ID: DMOSKM1G9WE
	SK	FCC ID: DMOSK1G9WE
	EKP	FCC ID: DMOEKP1G9WE

Canada	SKM	IC: 2099A-SKM1G9WE
	SK	IC: 2099A-SK1G9WE
	EKP	IC: 2099A-EKP1G9WE

Australië/Nieuw-Zeeland

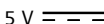


Japan




SKM	R	202-SMC049
SK	R	202-SMC050
EKP	R	202-SMC051

NT 5-10U

Nominale ingangsspanning	100 tot 240 V~
Netfrequentie	50 of 60 Hz
Nominale uitgangsspanning	5 V 
Uitgangsstroomsterkte	1 A
Stand-by stroomverbruik	≤ 0,1 W
Energie-efficiencyklasse	V
Bedrijfstemperatuur	0°C tot +40°C
Opslagtemperatuur	-20°C tot +70°C
Relatieve luchtvochtigheid	max. 90%
Gewicht	ca. 55 g

Aan de eisen is voldaan voor:

Europa		EMC	EN 55022 EN 55024
		Veiligheid	EN 60950-1
		RoHS	EN 50581
		Energie-efficiencybepaling nr. 1275/2008	

USA/
Canada EMC FCC 47 CFR 15 B
ICES 003, CAN ICES-3(B)/NMB-3(B)
Veiligheid UL 60950-1
CAN/CSA-C22.2 No. 60950-1

Australië EMC AS/NZ CISPR 22
Veiligheid AS/NZL 60950.1

Gecertificeerd overeenkomstig:

Europa ENEC 22 SIQ

USA/Canada



Australië/Nieuw-Zeeland



Japan




ゼンハイザー・ジャパン(株)

Accupacks



	BA 10	BA 20	BA 30
Laadcapaciteit	2200 mAh	430 mAh	2030 mAh
Uitgangsspanning	3,6 V	3,7 V	3,7 V

Aan de eisen is voldaan voor:

Europa		EMC Veiligheid	EN 301489-1/-6/-17 IEC/EN 62133
USA/Canada		Accucellen Accupack	UL 1642 UL 2054
Japan		DENAN Ordinance Article 1; Appendix 9 Lithium Ion	
Korea		Veiligheid	K 62133
UN Transporttest		overeenkomstig UN-keuringshandboek deel III, paragraaf 38.3 lithiumbatterijen	

Gecertificeerd overeenkomstig:


USA/Canada	
Japan	 <small>ゼンハイザージャパン(株)</small>
Korea	

Verklaringen van de fabrikant

Garantie

- Sennheiser electronic GmbH & Co. KG verleent op dit product een garantie van 24 maanden.
- De op dit moment geldende garantiebepalingen kunt u downloaden van het internet onder www.sennheiser.com of bij uw Sennheiser-leverancier opvragen.

In overeenstemming met onderstaande eisen

- WEEE-richtlijn (2012/19/EU)
 Breng deze producten aan het einde van de levenscyclus a.u.b. naar één van de plaatselijke inzamelpunten of naar een recyclingbedrijf.
- Batterijrichtlijn (2006/66/EG)
De gebruikte accu's of batterijen moeten worden gerecycled. Lever oude accu's c.a. batterijen a.u.b. in bij de officiële inzamelplaatsen of de vakhandel. Zorg ervoor, om het milieu te beschermen, dat lege batterijen of accu's op de juiste wijze als afval worden behandeld.

CE-overeenstemming

- **CE 0682**
- R&TTE-richtlijn (1999/5/EG)
- RoHS-richtlijn (2011/65/EU)
- EMC-richtlijn (2004/108/EU)
- Laagspanningsrichtlijn (2006/95/EU)

De verklaringen zijn op internet onder www.sennheiser.com beschikbaar. Lees voor de inbedrijfstelling de specifieke voorschriften door, die voor uw land van toepassing zijn.

Licenses

CELT Codec

Copyright (c) 2014 IETF Trust and the persons identified as authors of the code. All rights reserved.

Redistribution and use in source and binary forms, with or without modification, are permitted provided that the following conditions are met:

- Redistributions of source code must retain the above copyright notice, this list of conditions and the following disclaimer.
- Redistributions in binary form must reproduce the above copyright notice, this list of conditions and the following disclaimer in the documentation and/or other materials provided with the distribution.
- Neither the name of Internet Society, IETF or IETF Trust, nor the names of specific contributors, may be used to endorse or promote products derived from this software without specific prior written permission.

THIS SOFTWARE IS PROVIDED BY THE COPYRIGHT HOLDERS AND CONTRIBUTORS "AS IS" AND ANY EXPRESS OR IMPLIED WARRANTIES, INCLUDING, BUT NOT LIMITED TO, THE IMPLIED WARRANTIES OF MERCHANTABILITY AND FITNESS FOR A PARTICULAR PURPOSE

ARE DISCLAIMED. IN NO EVENT SHALL THE COPYRIGHT OWNER OR CONTRIBUTORS BE LIABLE FOR ANY DIRECT, INDIRECT, INCIDENTAL, SPECIAL, EXEMPLARY, OR CONSEQUENTIAL DAMAGES (INCLUDING, BUT NOT LIMITED TO, PROCUREMENT OF SUBSTITUTE GOODS OR SERVICES; LOSS OF USE, DATA, OR PROFITS; OR BUSINESS INTERRUPTION) HOWEVER CAUSED AND ON ANY THEORY OF LIABILITY, WHETHER IN CONTRACT, STRICT LIABILITY, OR TORT (INCLUDING NEGLIGENCE OR OTHERWISE) ARISING IN ANY WAY OUT OF THE USE OF THIS SOFTWARE, EVEN IF ADVISED OF THE POSSIBILITY OF SUCH DAMAGE.

Ubuntu Font License

Version 1.0

Preamble

This license allows the licensed fonts to be used, studied, modified and redistributed freely. The fonts, including any derivative works, can be bundled, embedded, and redistributed provided the terms of this license are met. The fonts and derivatives, however, cannot be released under any other license. The requirement for fonts to remain under this license does not require any document created using the fonts or their derivatives to be published under this license, as long as the primary purpose of the document is not to be a vehicle for the distribution of the fonts.

Permission & Conditions

This license does not grant any rights under trademark law and all such rights are reserved.

Permission is hereby granted, free of charge, to any person obtaining a copy of the Font Software, to propagate the Font Software, subject to the below conditions:

1. Each copy of the Font Software must contain the above copyright notice and this license. These can be included either as stand-alone text files, human-readable headers or in the appropriate machine-readable metadata fields within text or binary files as long as those fields can be easily viewed by the user.
2. The font name complies with the following:
 1. The Original Version must retain its name, unmodified.
 2. Modified Versions which are Substantially Changed must be renamed to avoid use of the name of the Original Version or similar names entirely.
 3. Modified Versions which are not Substantially Changed must be renamed to both
 1. retain the name of the Original Version and
 2. add additional naming elements to distinguish the Modified

Version from the Original Version. The name of such Modified Versions must be the name of the Original Version, with „derivative X“ where X represents the name of the new work, appended to that name.

3. The name(s) of the Copyright Holder(s) and any contributor to the Font Software shall not be used to promote, endorse or advertise any Modified Version, except
 1. as required by this license,
 2. to acknowledge the contribution(s) of the Copyright Holder(s) or
 3. with their explicit written permission.
4. The Font Software, modified or unmodified, in part or in whole, must be distributed entirely under this license, and must not be distributed under any other license. The requirement for fonts to remain under this license does not affect any document created using the Font Software, except any version of the Font Software extracted from a document created using the Font Software may only be distributed under this license.

Termination

This license becomes null and void if any of the above conditions are not met.

Disclaimer

THE FONT SOFTWARE IS PROVIDED „AS IS“, WITHOUT WARRANTY OF ANY KIND, EXPRESS OR IMPLIED, INCLUDING BUT NOT LIMITED TO ANY WARRANTIES OF MERCHANTABILITY, FITNESS FOR A PARTICULAR PURPOSE AND NONINFRINGEMENT OF COPYRIGHT, PATENT, TRADEMARK, OR OTHER RIGHT. IN NO EVENT SHALL THE COPYRIGHT HOLDER BE LIABLE FOR ANY CLAIM, DAMAGES OR OTHER LIABILITY, INCLUDING ANY GENERAL, SPECIAL, INDIRECT, INCIDENTAL, OR CONSEQUENTIAL DAMAGES, WHETHER IN AN ACTION OF CONTRACT, TORT OR OTHERWISE, ARISING FROM, OUT OF THE USE OR INABILITY TO USE THE FONT SOFTWARE OR FROM OTHER DEALINGS IN THE FONT SOFTWARE.



Sennheiser electronic GmbH & Co. KG

Am Labor 1, 30900 Wedemark, Germany

www.sennheiser.com

Publ. 01/15, 554644/A03